

SMPTE Fiber Hybrid Cable & Assemblies (3K.93C)

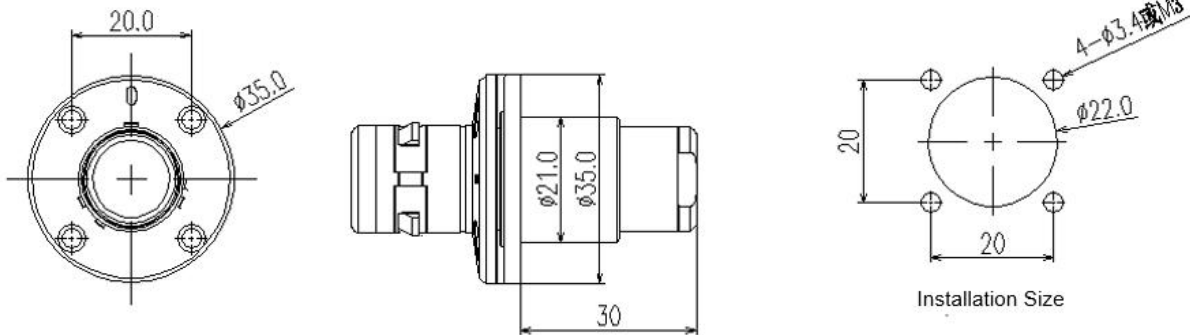
Description

3K.93C HD Fiber Hybrid cable assemblies: Comply with SMPTE304、SMPTE311M and ARIB BTA S-1005B etc standards. Shortly lead time, Quality Warranty, after service guarantee.

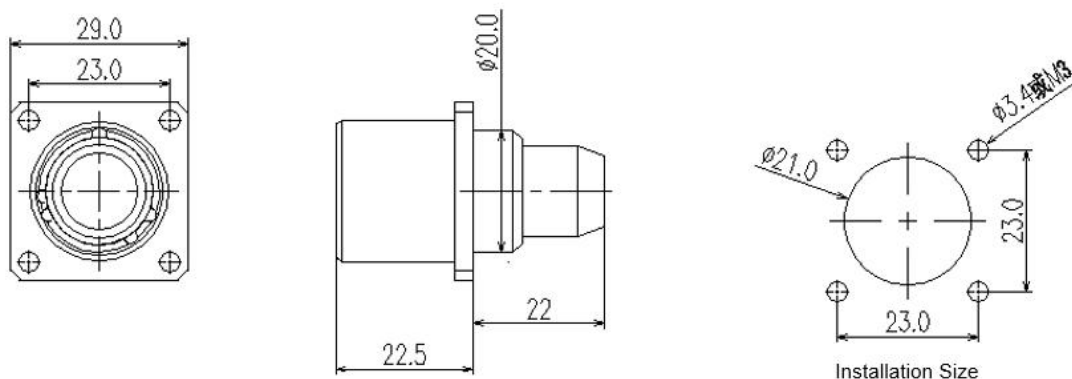
We upgrade the SMPTE-311m cable structure, the fiber come with the **armored protection**, so the inside fiber will be not easily broken.



FXW Draw



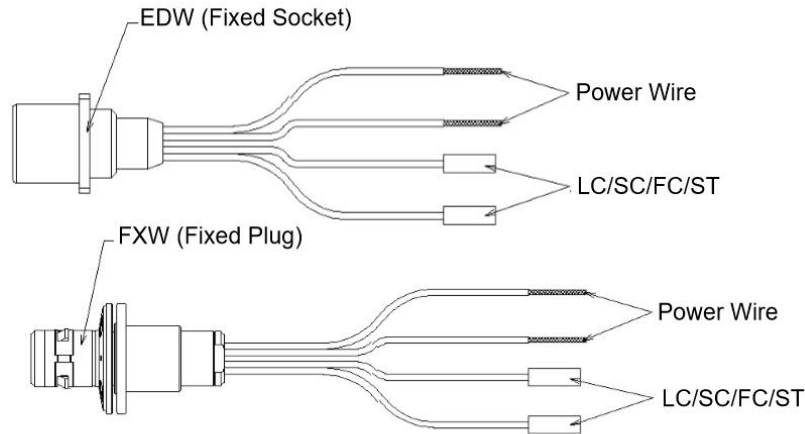
EDW Draw



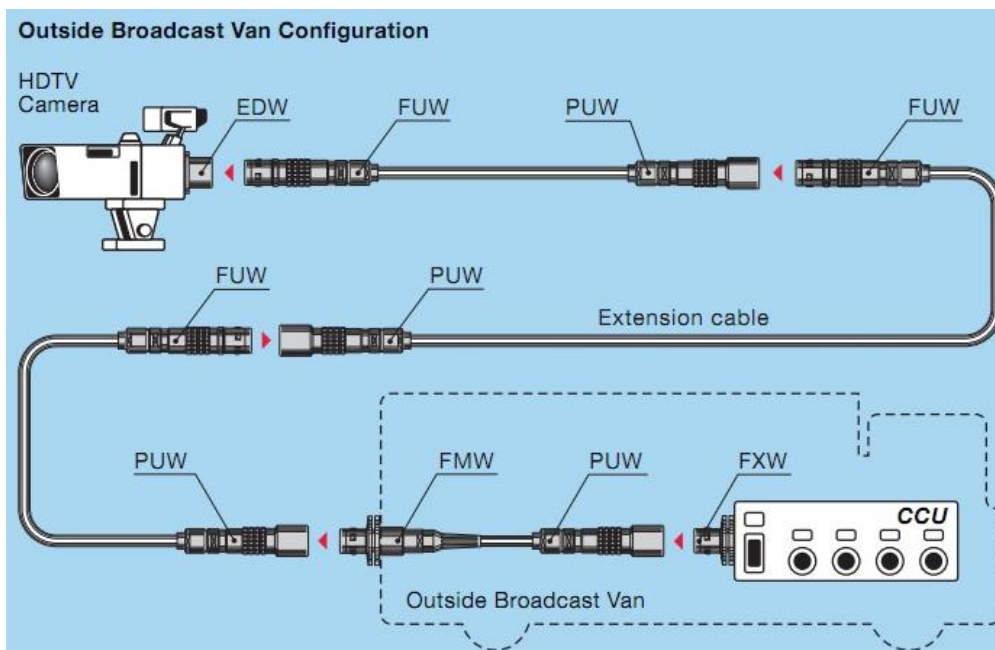
Jumper

EDW / FXW Assembly Drawing

End A Plug (Socket)	EDW / FXW	2SC	L1m	SM
End B Connector	2SC Connector (LC, ST, FC optional)			
Length	1m- fiber length 1m			
Fiber Type	SM- Single Mode fiber (9/125)			



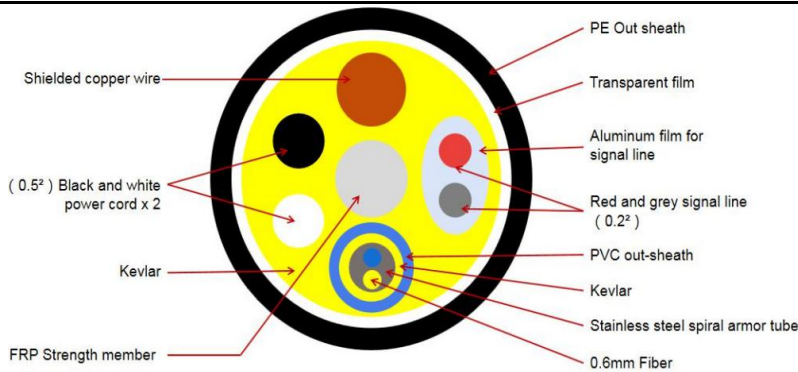
FUW-PUW SMPTE304/311M HDTV Hybrid Cable(Armored Protection up to 300meter)



Specification

Name of Optical Cable:	Special Composite Cable for HD Camera
Type of Optical cable:	GD-UK-2C-G657-0.6-9.2

Structure Diagram of Optical Cable:



Optical Cable Parameters

Optical Fiber Parameters	Items	Parameter or description
	Cable Diameter	9.2mm±0.2
Outer Sheath Color	Black	
Optical Cable Printing	Optical Fiber Cable G657 2C PE	
Material of Outer Sheath	PE	
Fiber Type	Single Mode	
Fiber Diameter	0.6±0.1	
Attenuation	≤0.4dB/km(1310nm)	
	≤0.3dB/km(1550nm)	
Tensile Element	Kevlar	
Weight	105kg/km	
Mechanical Properties	Allowable Tensile Force	Short-term 700N/10cm
		Long-term 350N/10cm
	Allow Squash Force	Short-term 1000N
		Long-term 500N
Bending Radius	Static State 10 D	
	Dynamic 20 D	
Environmental Characteristics	Operating Temperature	-40℃~+85℃
	Storage Temperature	-40℃~+85℃